

TECHNICAL DATA

Product type	Reverse osmosis watermaker
Application	Seawater for nautical application
Production	300 l/h \pm 15% (79 gal/h \pm 15%) @35 ppm and 25 °C
Membranes	4x Membrane SW-4021
Rejection	99,5% (nominal)
Power supply	24 V \pm 15% DC
	48 V \pm 15% DC
	110 V \pm 15% AC - 60 Hz
	230 V \pm 15% AC - 50/60 Hz
	12V-230V \pm 15% - 50/60 Hz
Absorption - Power required	24V-230V \pm 15% - 50/60 Hz
	48V-230V \pm 15% - 50/60 Hz
	25 A \pm 15% - 600 W \pm 15% (24 V)
	13 A \pm 15% - 600 W \pm 15% (48 V)
Pumps	2x Rotary pump
	10 - 11 bar
Pressure pump	31,7 – 33,3 l/min
Flow rate pumps	8 - 30 °C
Water inlet temperature range	2x 5micron filter 10"x2-1/2"
Pre-filtration	2x Active carbon filter 2-7/8" x 9-3/4"
Weight	120 kg
Shipping dimensions	88x64x124 cm



HYDRAULIC CONNECTIONES

PUMP / FILTERS / NR VALVE

Seawater inlet	Hose barb DN20/22 - DN20
Seawater outlet	Hose barb DN20/22 - DN20

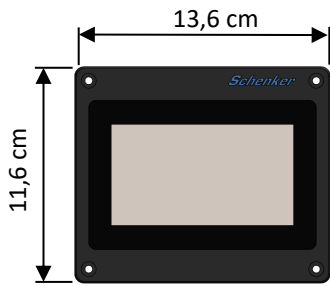
WATERMAKER

Seawater inlet	Hose barb DN20/22
Concentrated water outlet	Hose barb DN16
Fresh water outlet	Compressor fitting 1/4" for hose 6x8

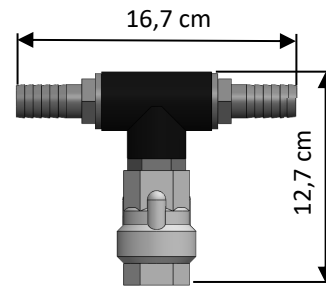
CONTROL SYSTEMS AND OPTIONAL DEVICES

Electronics	Touch
Automatic flushing	Standard
Safety control	High/low pressure
	Low voltage
Salinity monitoring	Standard

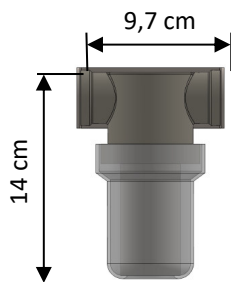
COMPONENTS



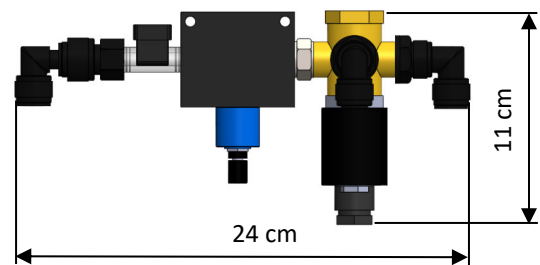
CONTROL PANEL
Depth: 3,2 cm
Cut dimensions: 11x8,8 cm



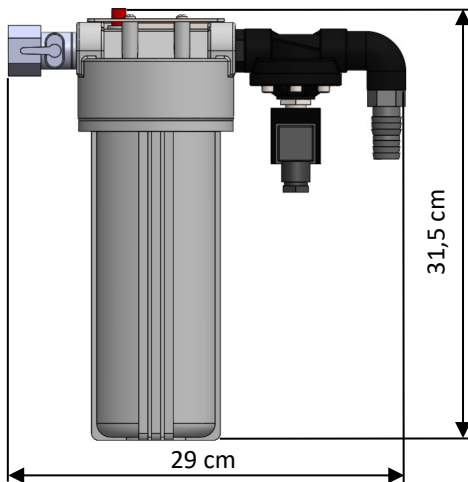
NON RETURN VALVE
Depth: 4,7 cm



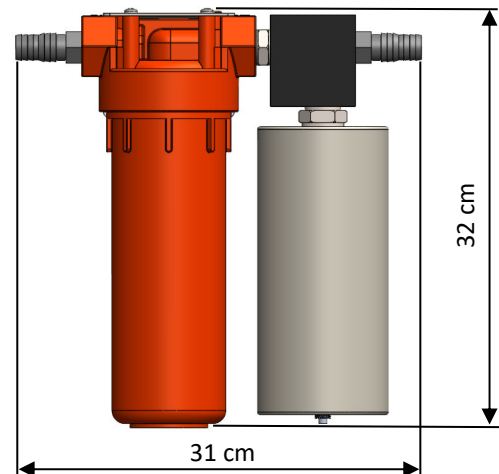
MESH FILTER GROUP
Depth: 9,1 cm



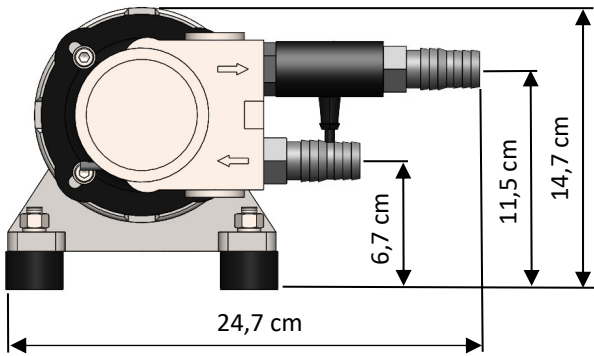
VALVOLA DEVIATRICE + FLUSSOMETRO
Depth: 11,5 cm



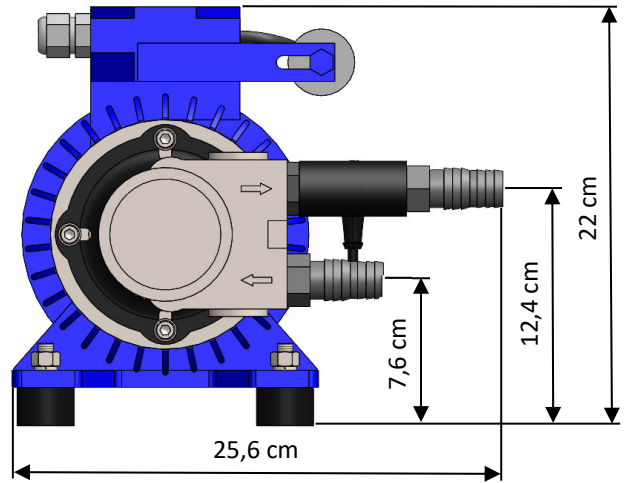
ACTIVE CARBON FILTER GROUP
Depth: 12,8 cm



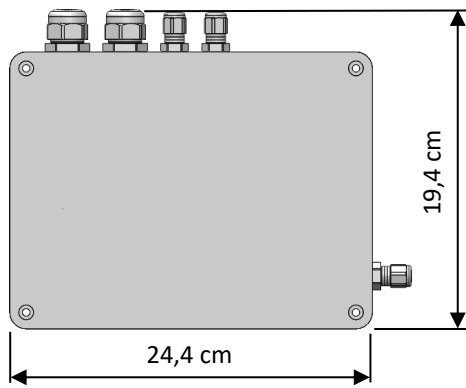
5 MICRON FILTER GROUP
Depth: 11,3 cm



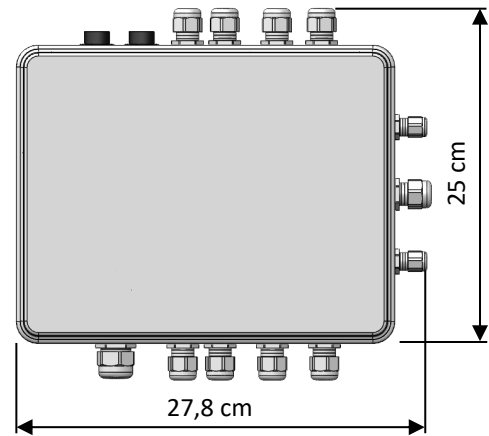
PUMP GROUP 12/24/48V
Depth: 37,1 cm - Weight: 10,1 kg



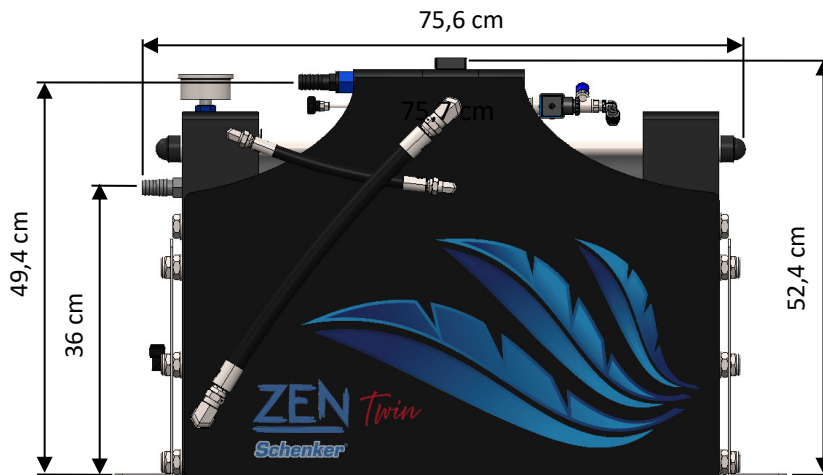
PUMP GROUP 230V
Depth: 40,4cm – Weight: 12kg



ELECTRICAL PUMP BOX
Depth: 10,6 cm

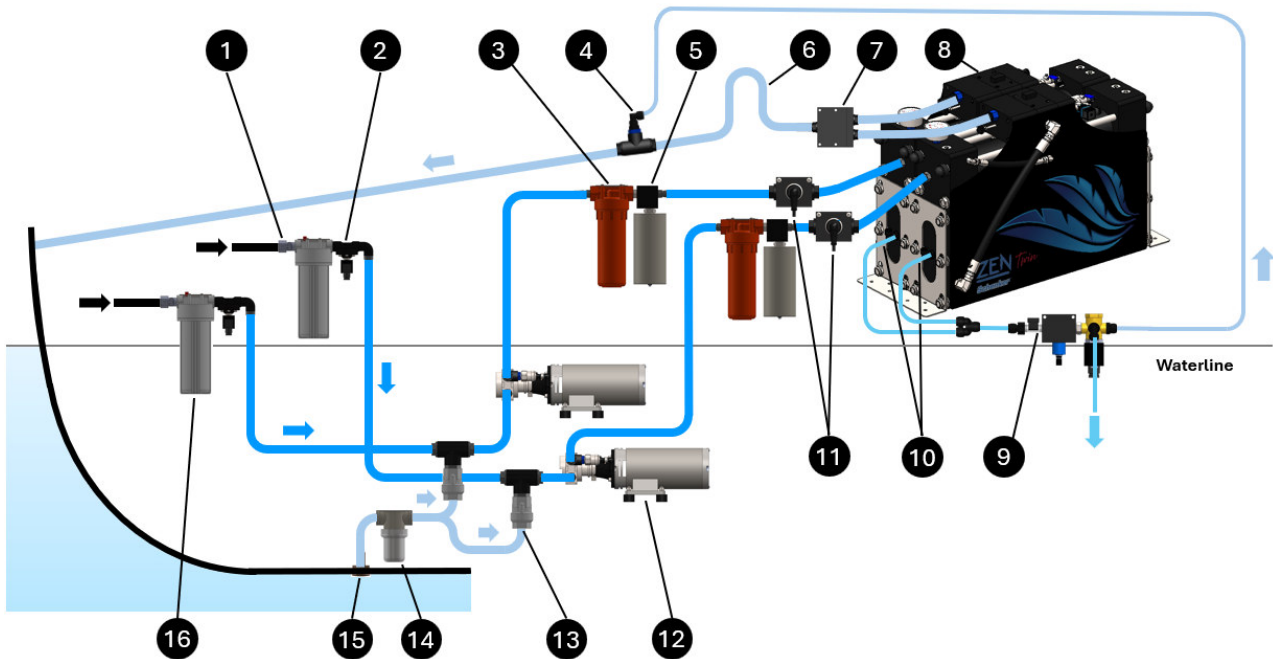


COMPUTER BOX
Depth: 10 cm



WATERMAKER
Depth: 40 cm - Weight: 96,4 kg

INSTALLATION SCHEME



- | | | | |
|---|--------------------------------|----|--|
| 1 | Pressurized fresh water valves | 9 | Diverging valve + flowmeter + Salinity probe |
| 2 | Electrovalves | 10 | Fresh water outlet |
| 3 | 5 micron filters | 11 | Pressure trasducer |
| 4 | Diverging valve discharge | 12 | Pump |
| 5 | Accumulator | 13 | Non return valve |
| 6 | Swan neck upwater - Discharge | 14 | Mesh filter |
| 7 | Exhaust valve | 15 | Sea water inlet |
| 8 | Watermaker | 16 | Active carbon filter |

Postadress:

TRÄDGÅRDSTEKNIK AB
Helsingborgsvägen 578, Varalöv
262 96 ÄNGELHOLM

Telefon : 0431-222 90
Bg.nr : 5743-7980
Org.nr : 556409-6120

URL:

www.tradgardsteknik.se
E-postadress:
info@tradgardsteknik.se